

Service  
Service  
**Service**



# Service Manual



## CONTENTS

Block diagram ..... 1-1  
 Wiring diagram ..... 2-2

Panel Board  
 circuit diagram ..... 3-1  
 layout diagram ..... 3-2

Display Board  
 circuit diagram ..... 4-1  
 layout diagram ..... 4-2

Rectifier Board ..... 5- 1

Audio Board  
 circuit diagram ..... 6-1...6-4  
 layout diagram ..... 6-5...6-6

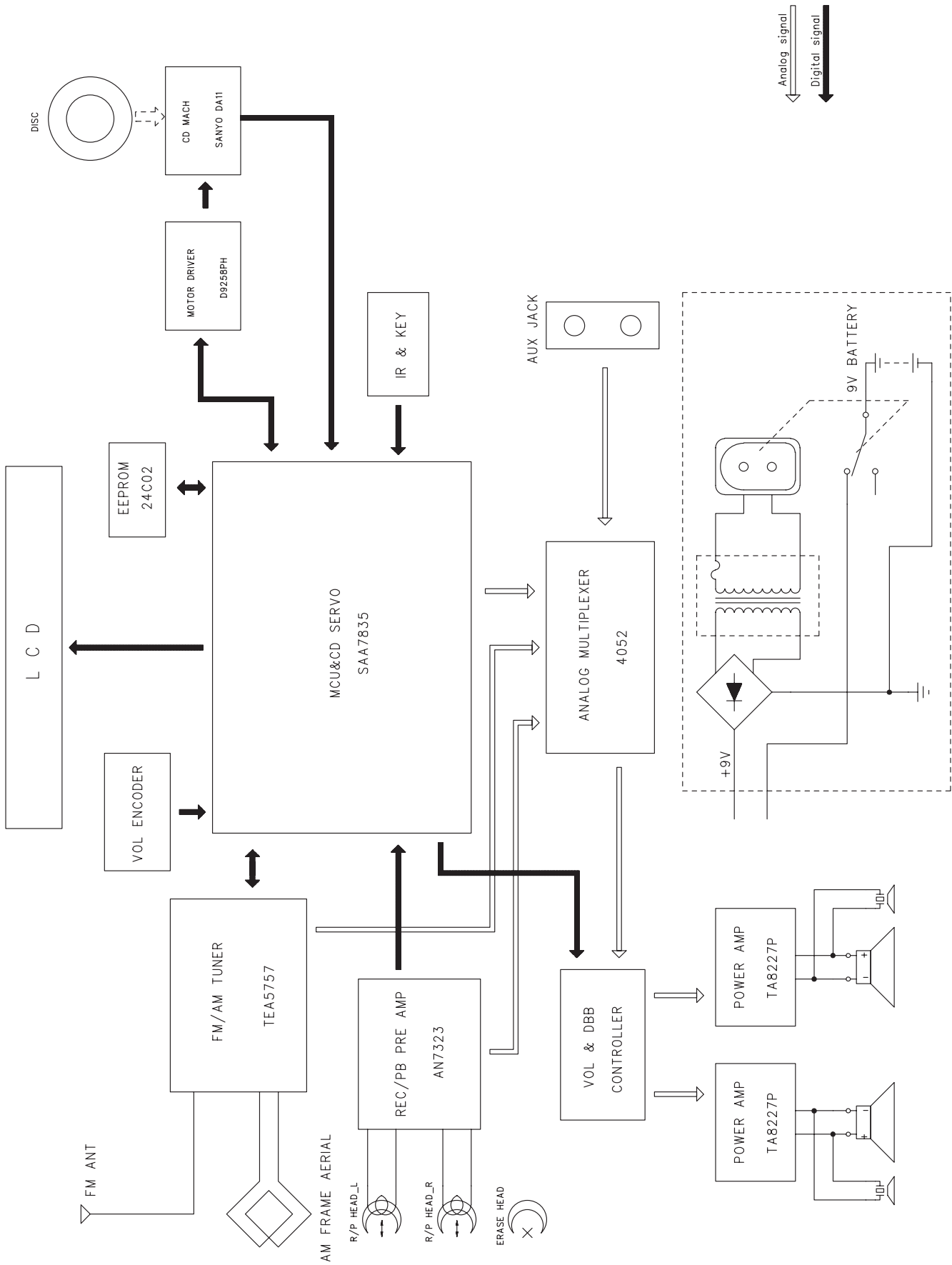
Exploded view diagram ..... 7-1

Service parts list ..... 8-1

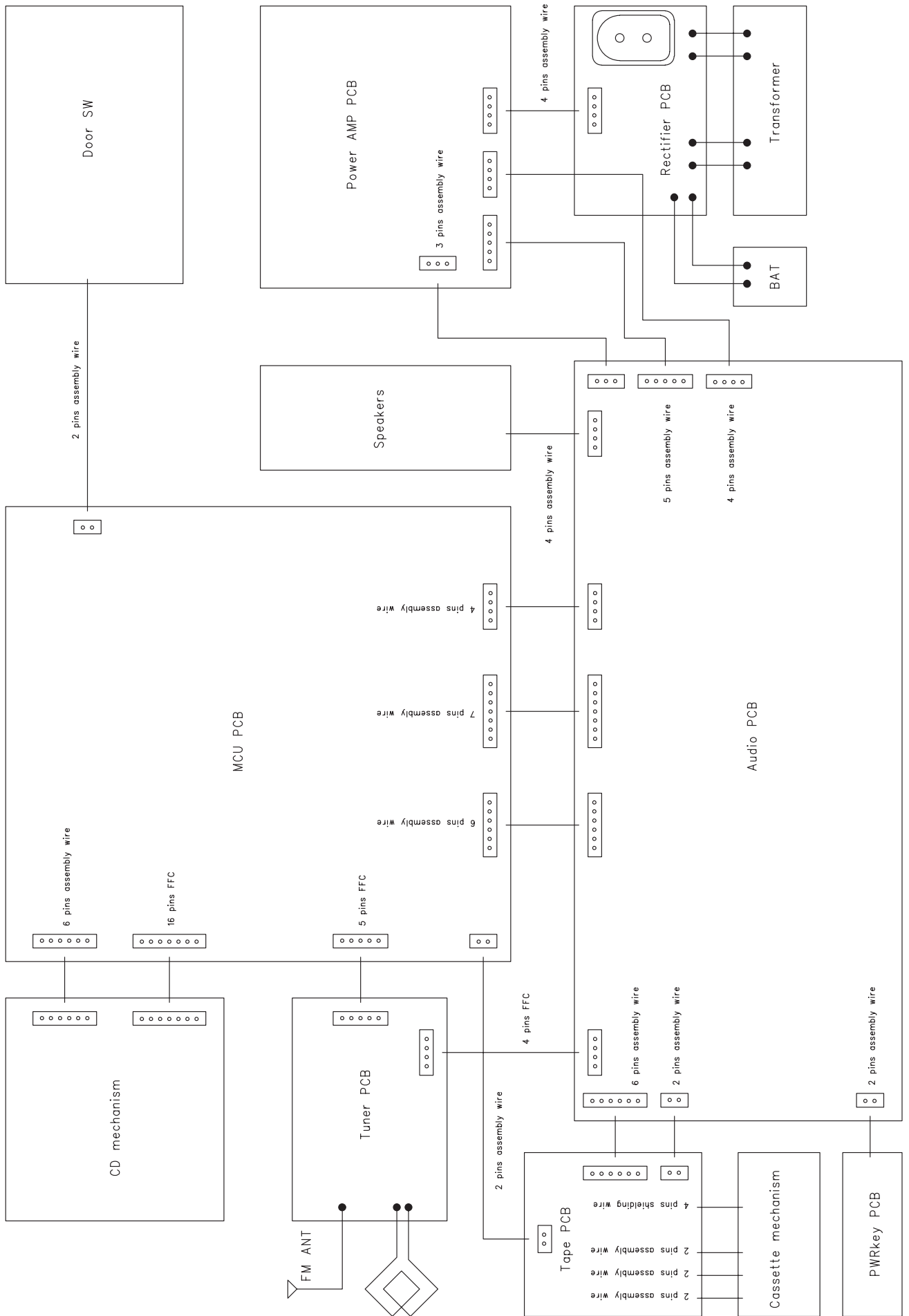
© Copyright 2007 Philips Consumer Electronics B.V. Eindhoven, The Netherlands  
 All rights reserved. No part of this publication may be reproduced, stored in a retrieval system or transmitted, in any form or by any means, electronic, mechanical, photocopying, or otherwise without the prior permission of Philips.



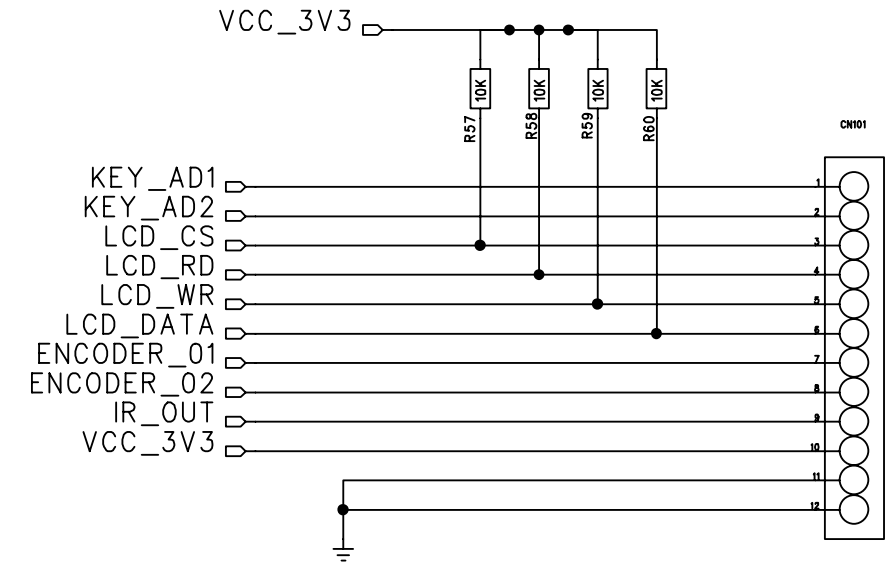
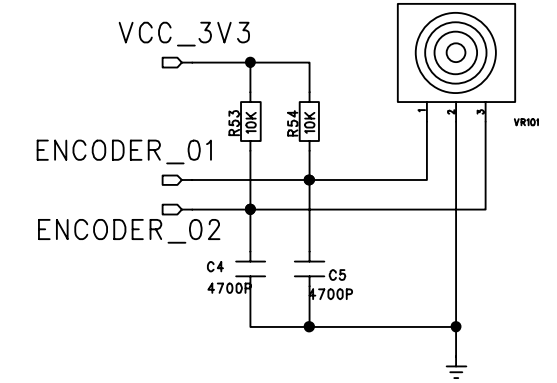
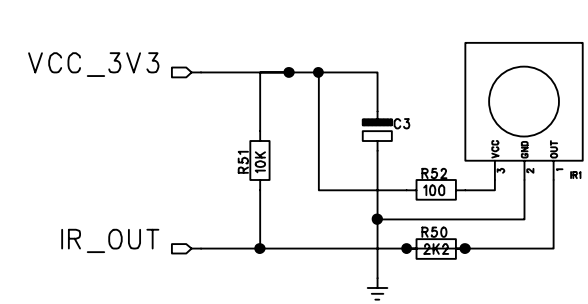
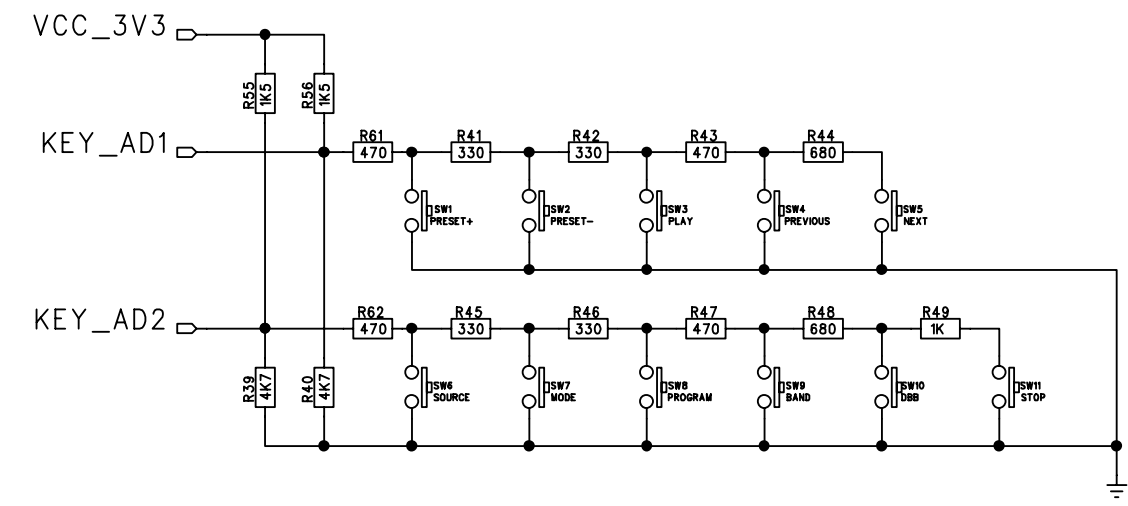
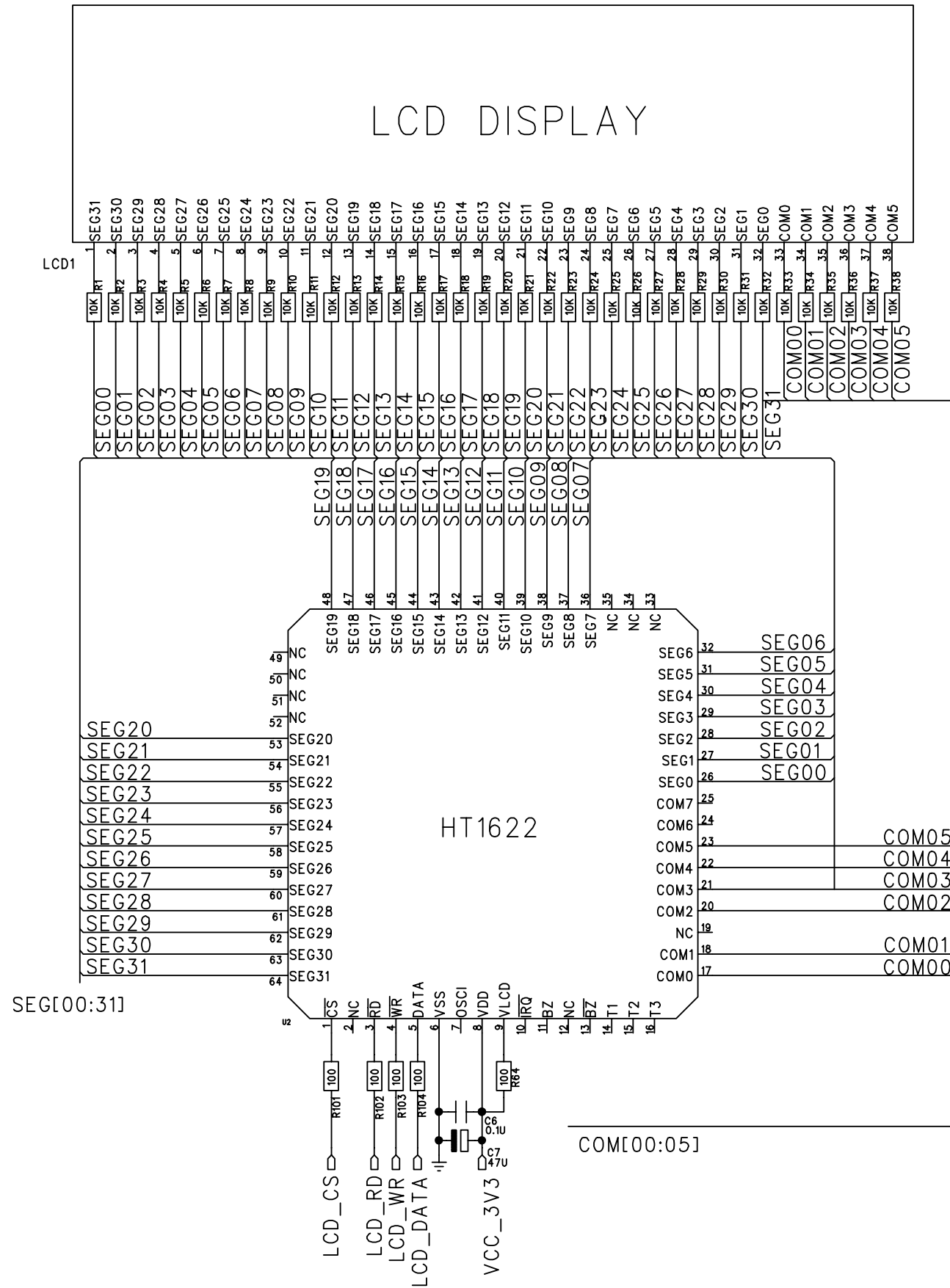
**BLOCK DIAGRAM**



# WIRING DIAGRAM

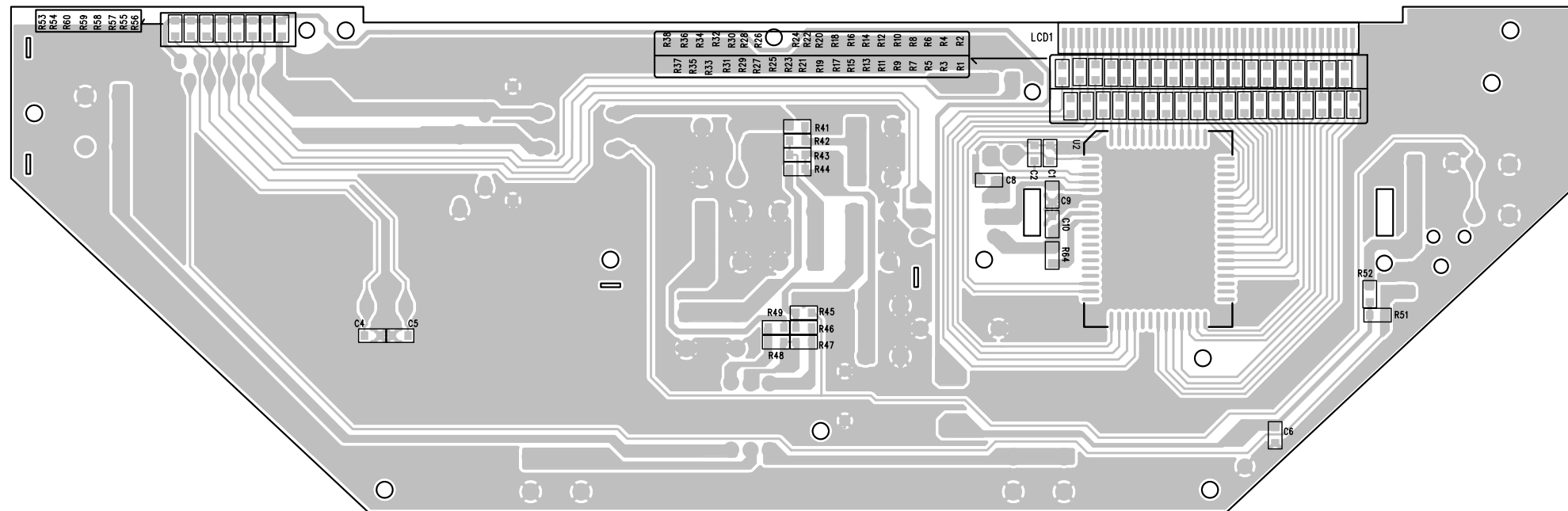
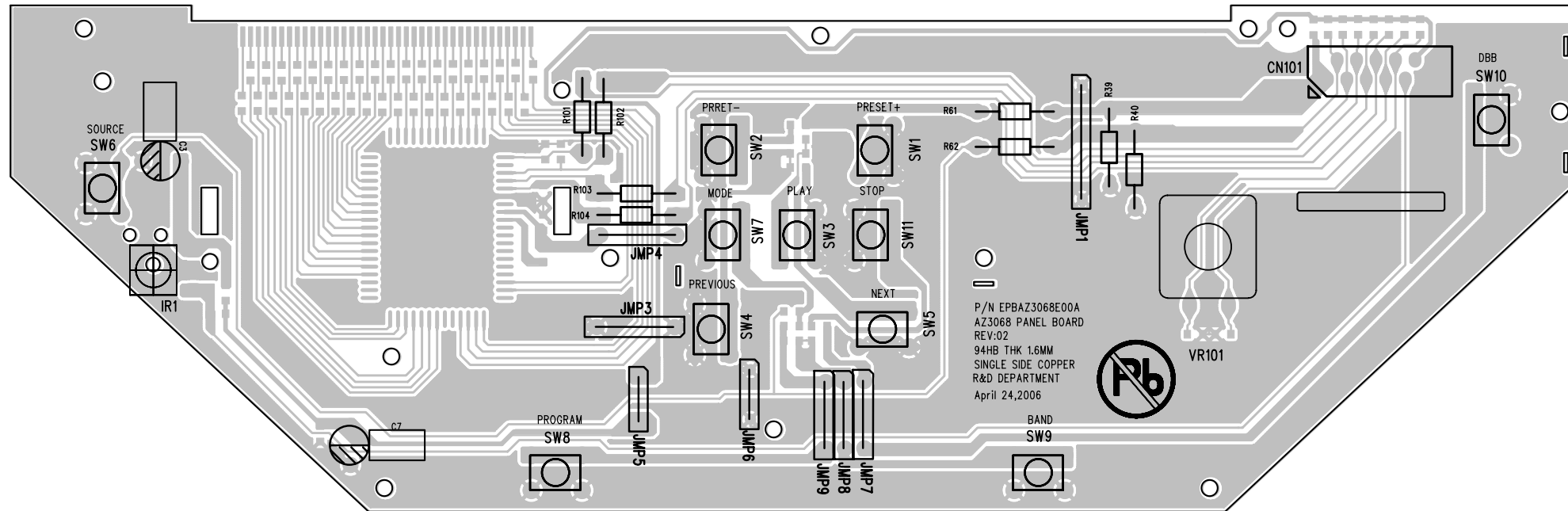


# CIRCUIT DIAGRAM - PANEL BOARD

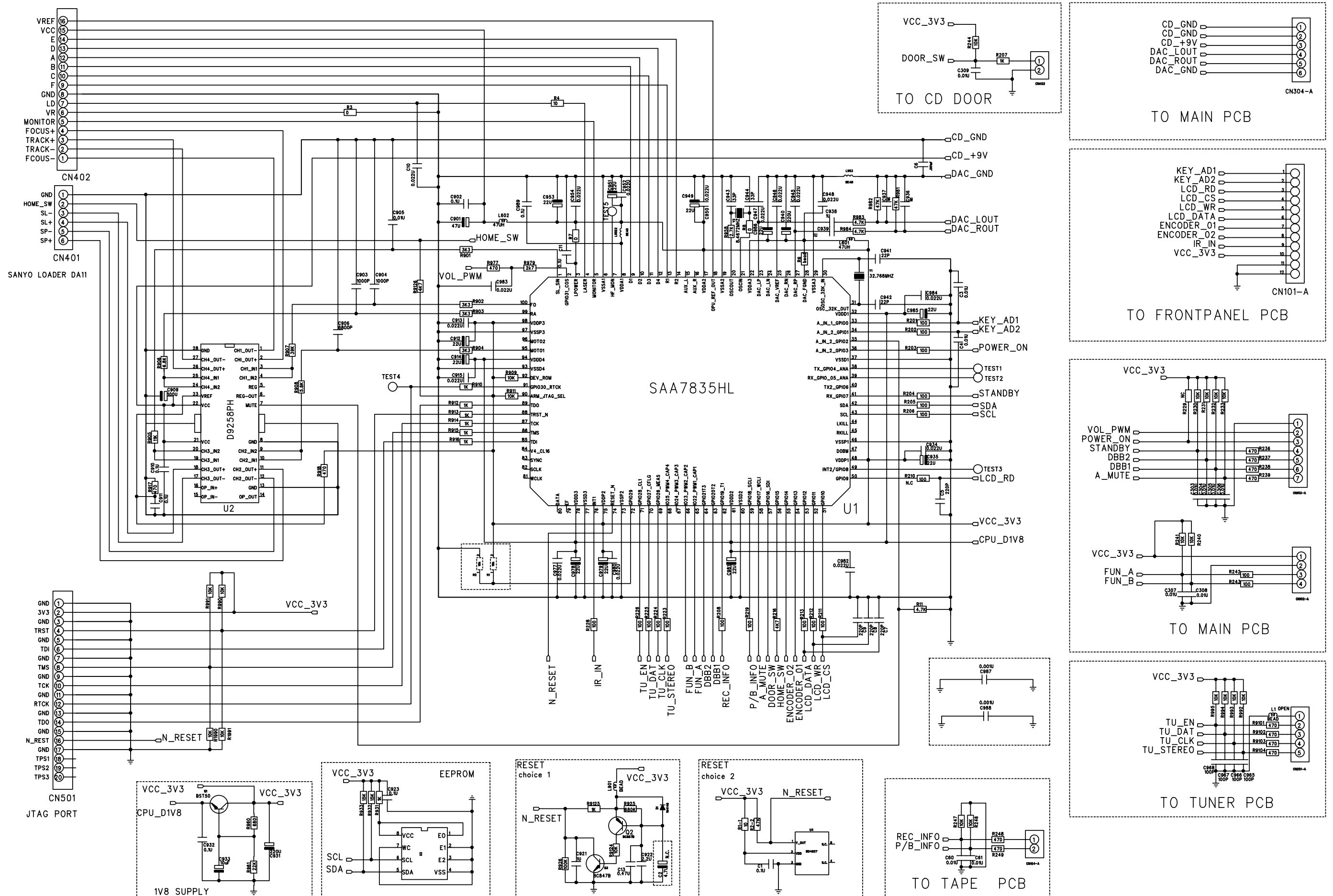


TO CPU PCB

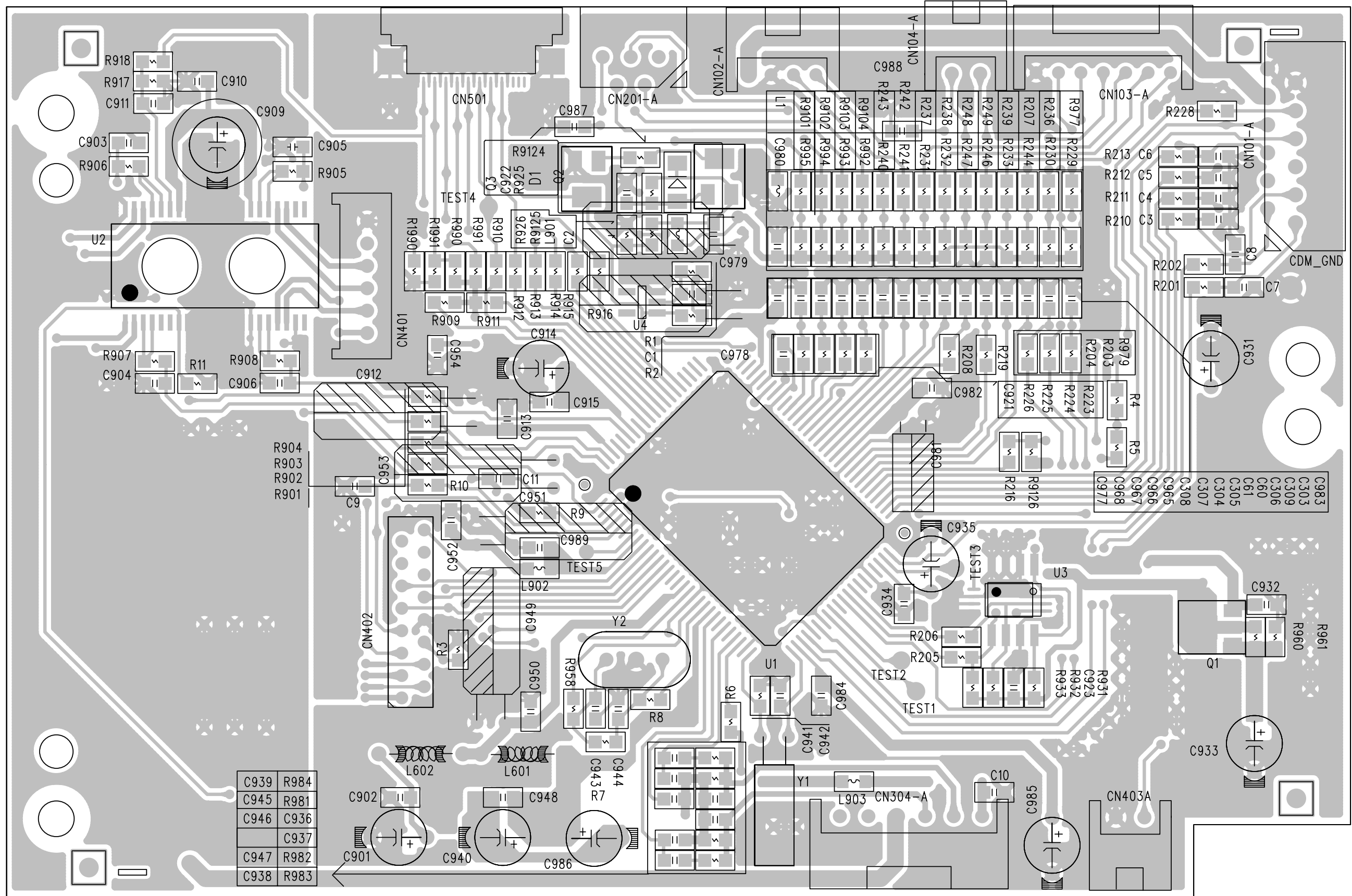
LAYOUT DIAGRAM - PANEL BOARD



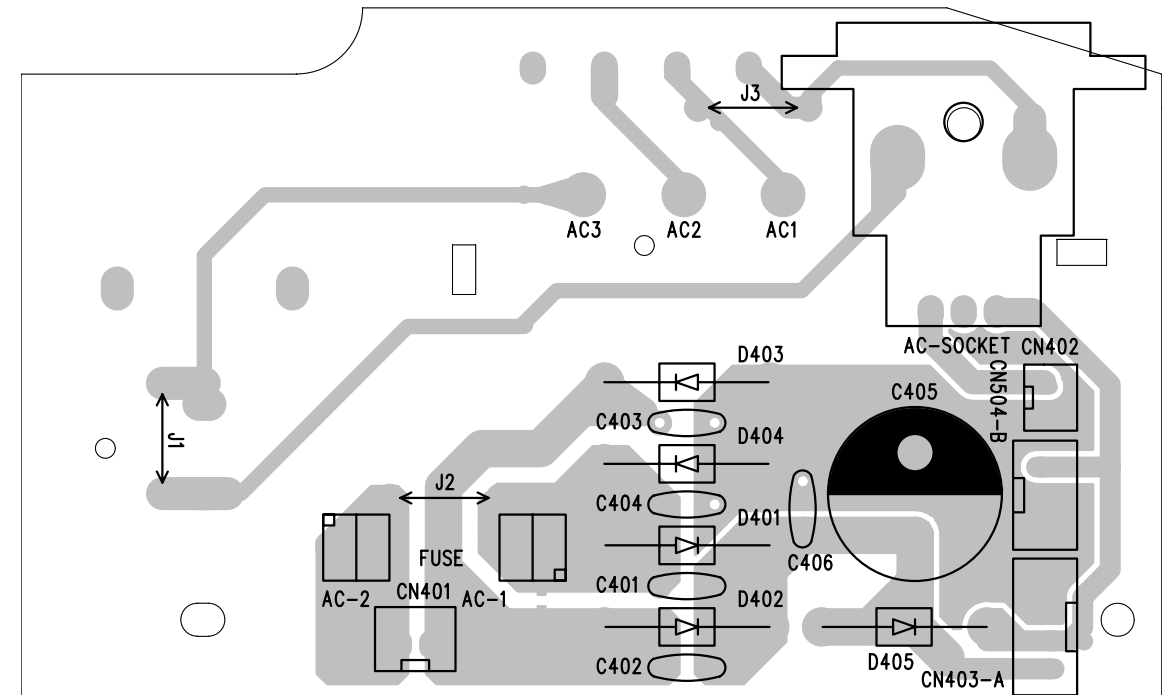
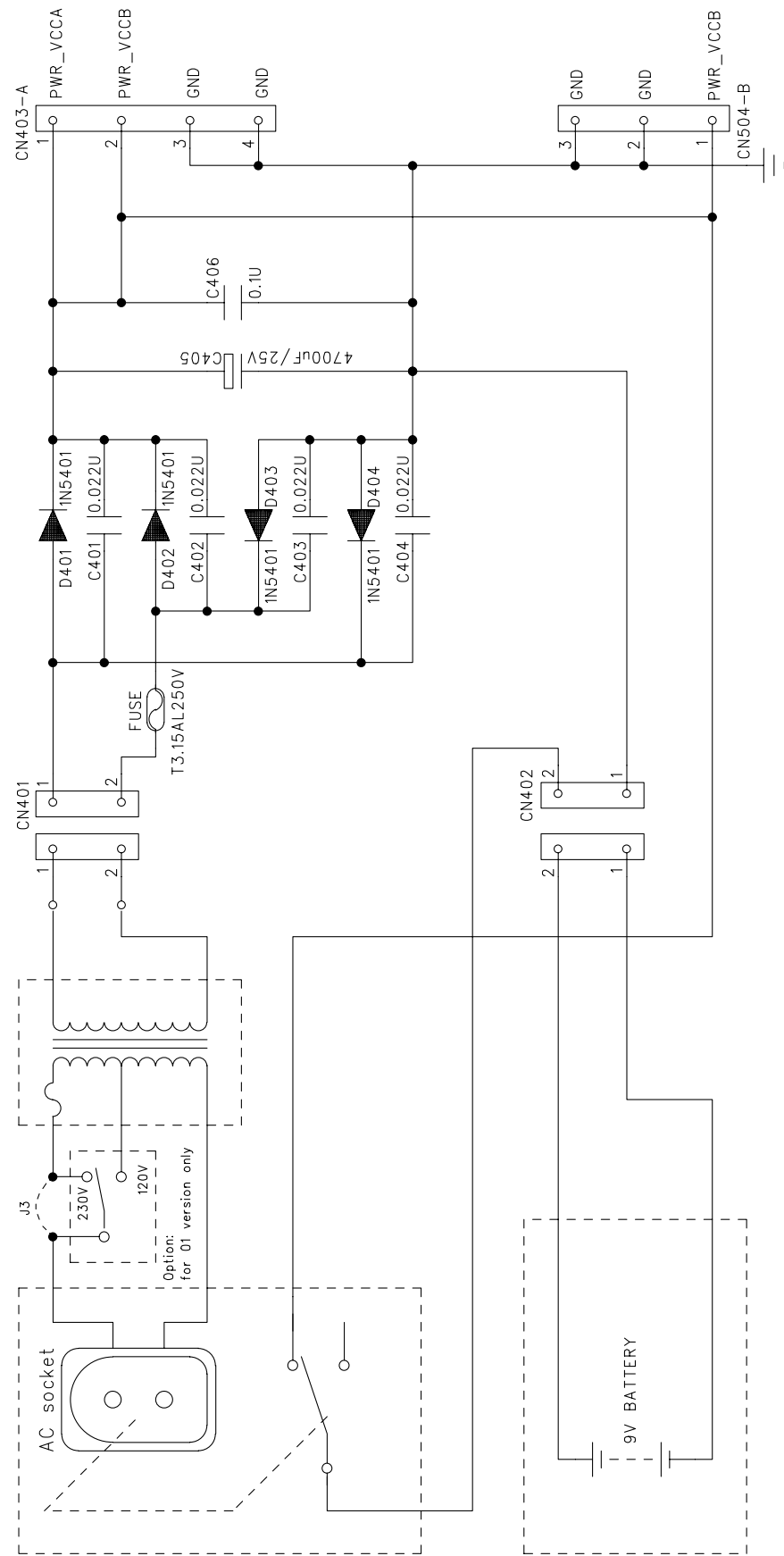
# CIRCUIT DIAGRAM - DISPLAY BOARD



LAYOUT DIAGRAM - DISPLAY BOARD

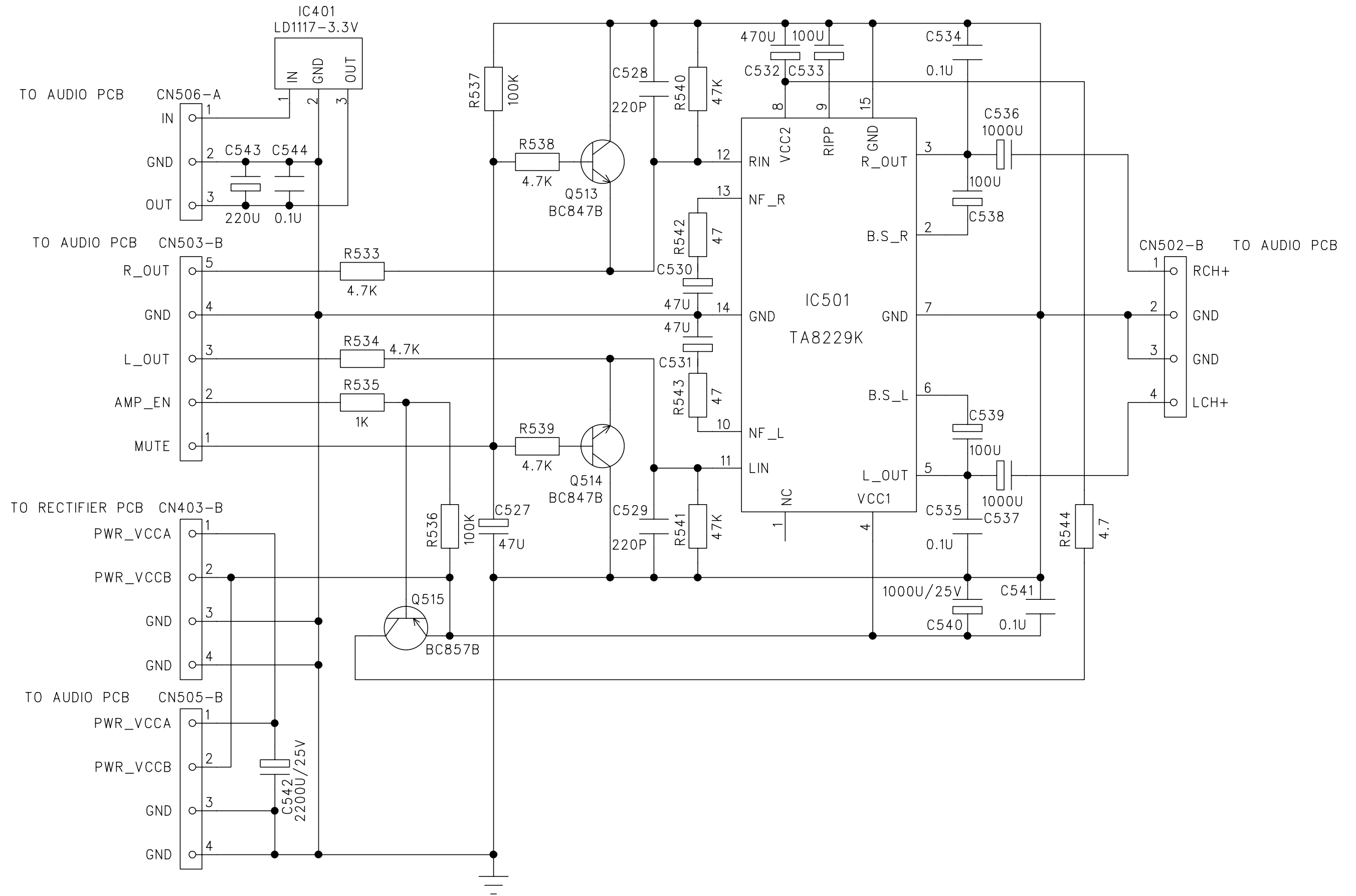


RECTIFIER BOARD

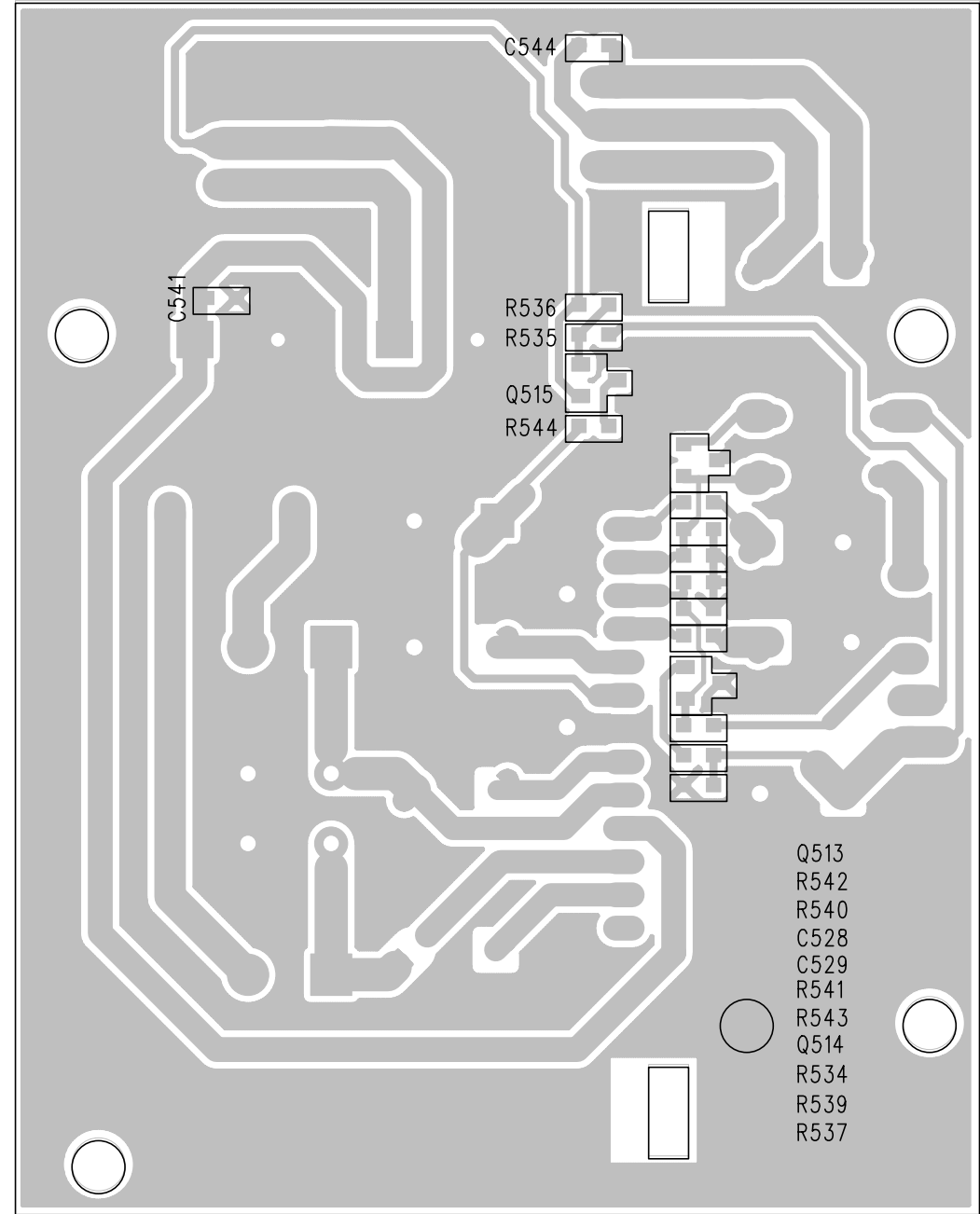
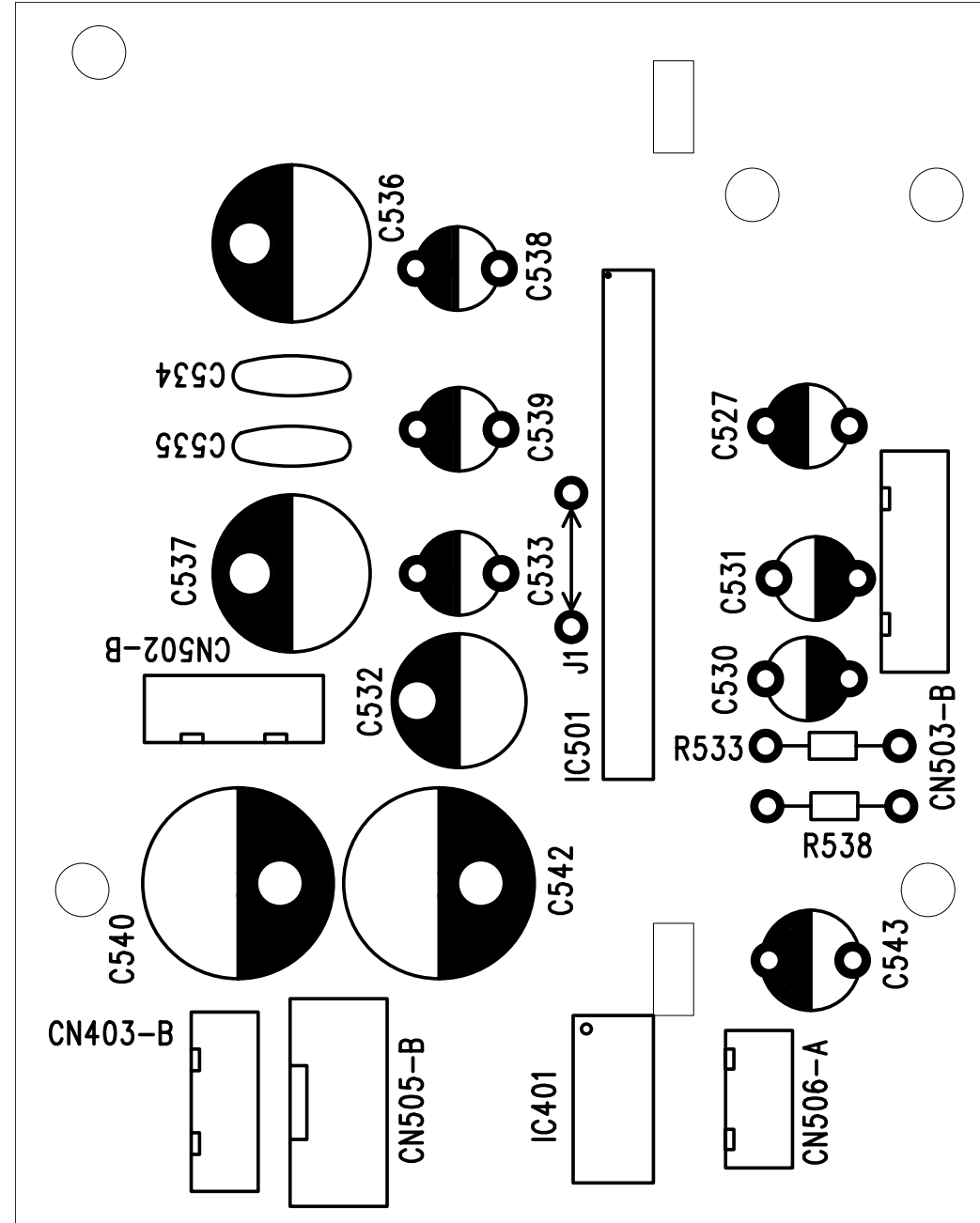




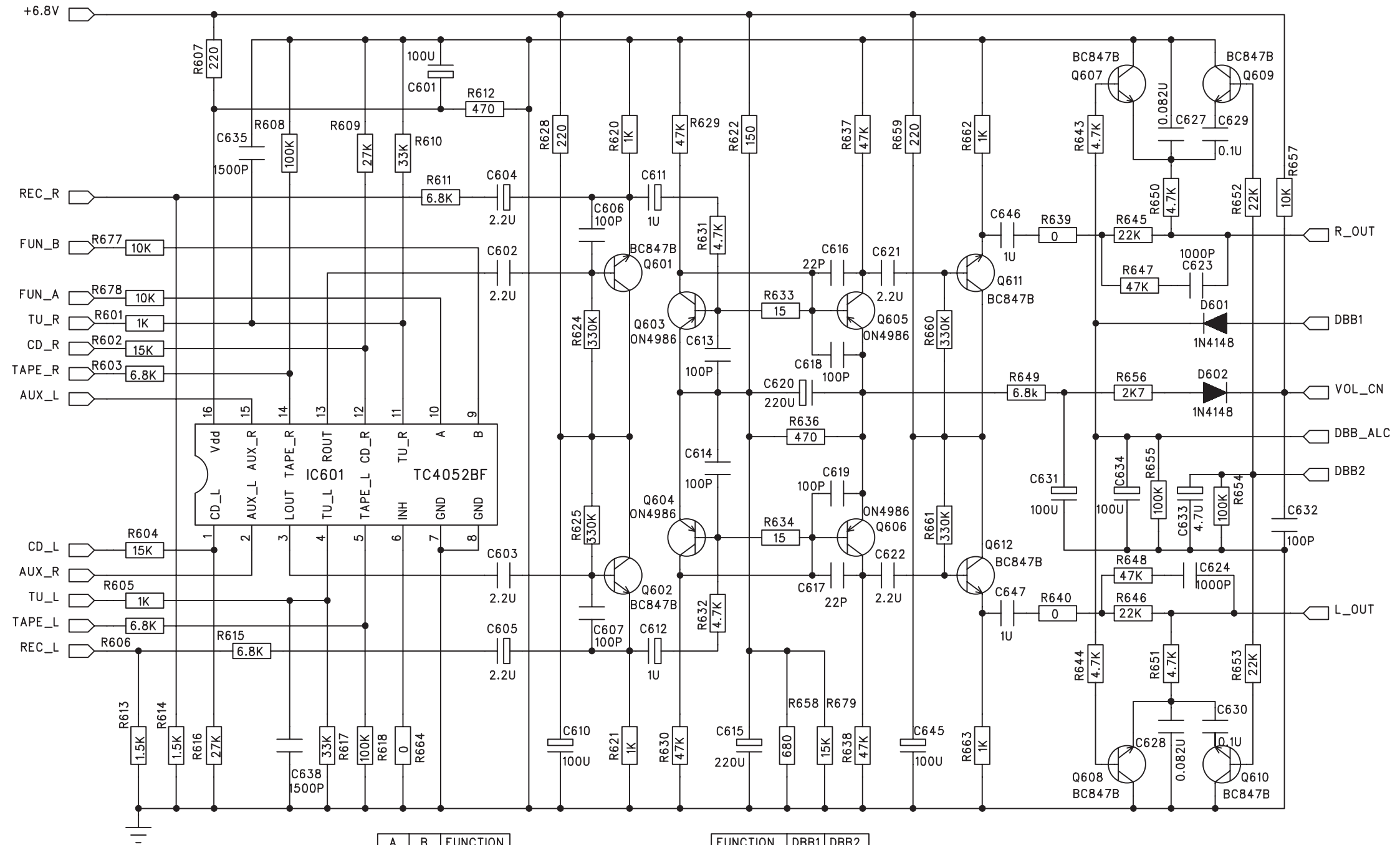
# CIRCUIT DIAGRAM - POWER AMP BOARD



LAYOUT DIAGRAM - POWER AMP BOARD



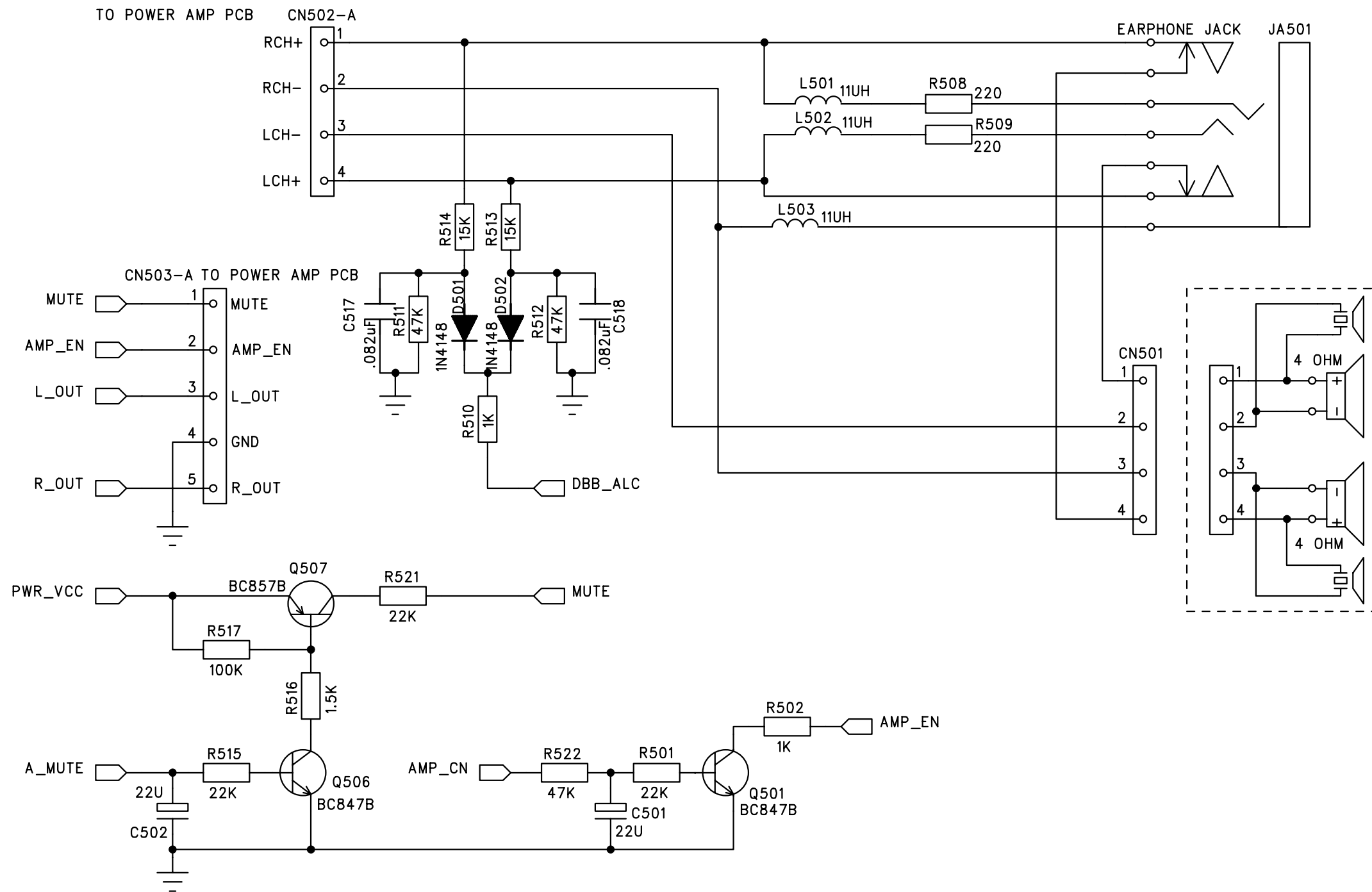
**CIRCUIT DIAGARM - AUDIO BOARD  
PART 1**



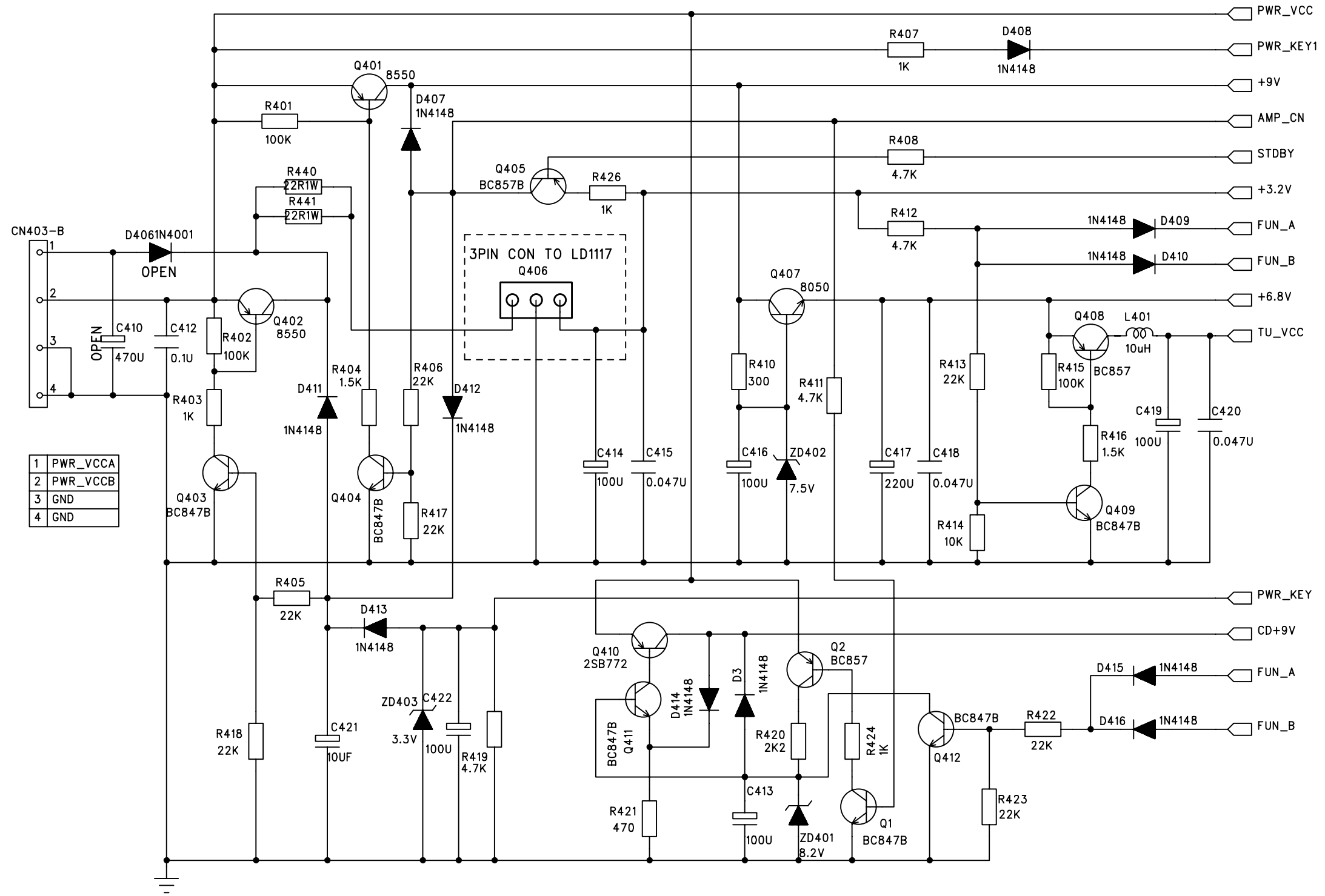
A	B	FUNCTION
0	0	CD
0	1	AUX
1	0	TAPE
1	1	TUNER

FUNCTION	DBB1	DBB2
DBB1 ON	0	1
DBB2 ON	0	0
DBB OFF	1	0

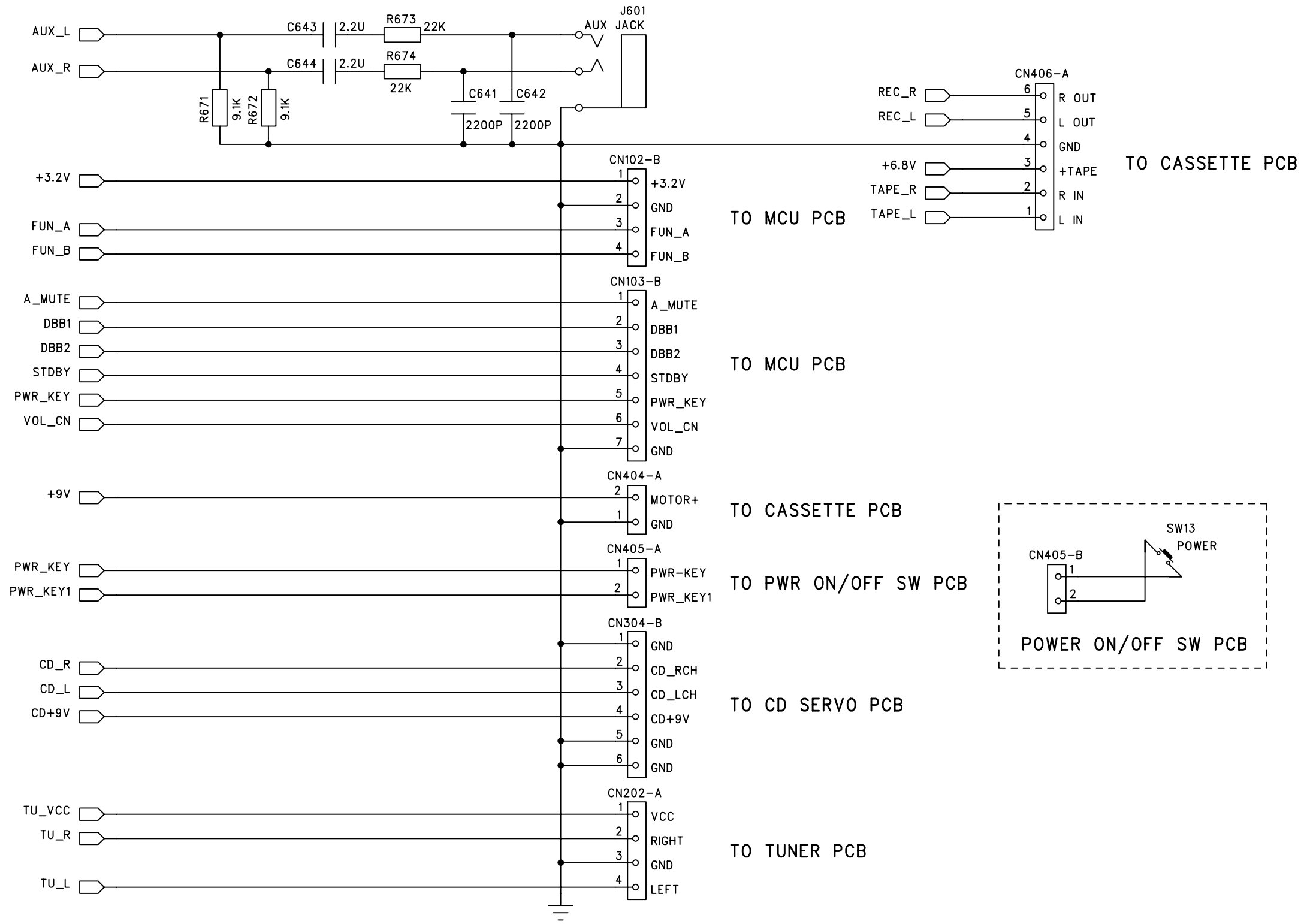
# CIRCUIT DIAGRAM - AUDIO BOARD PART 2



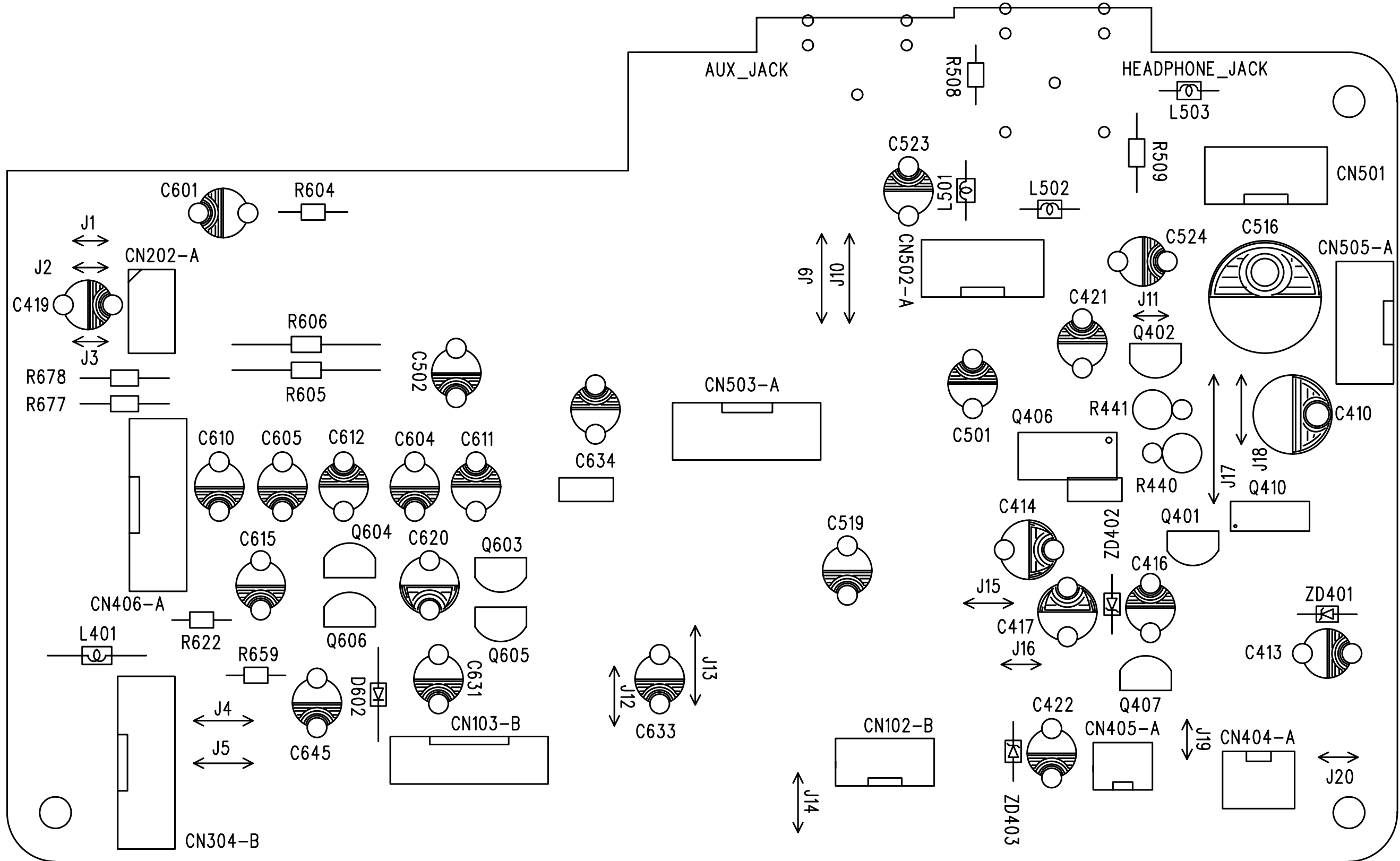
# CIRCUIT DIAGRAM - AUDIO BOARD PART 3



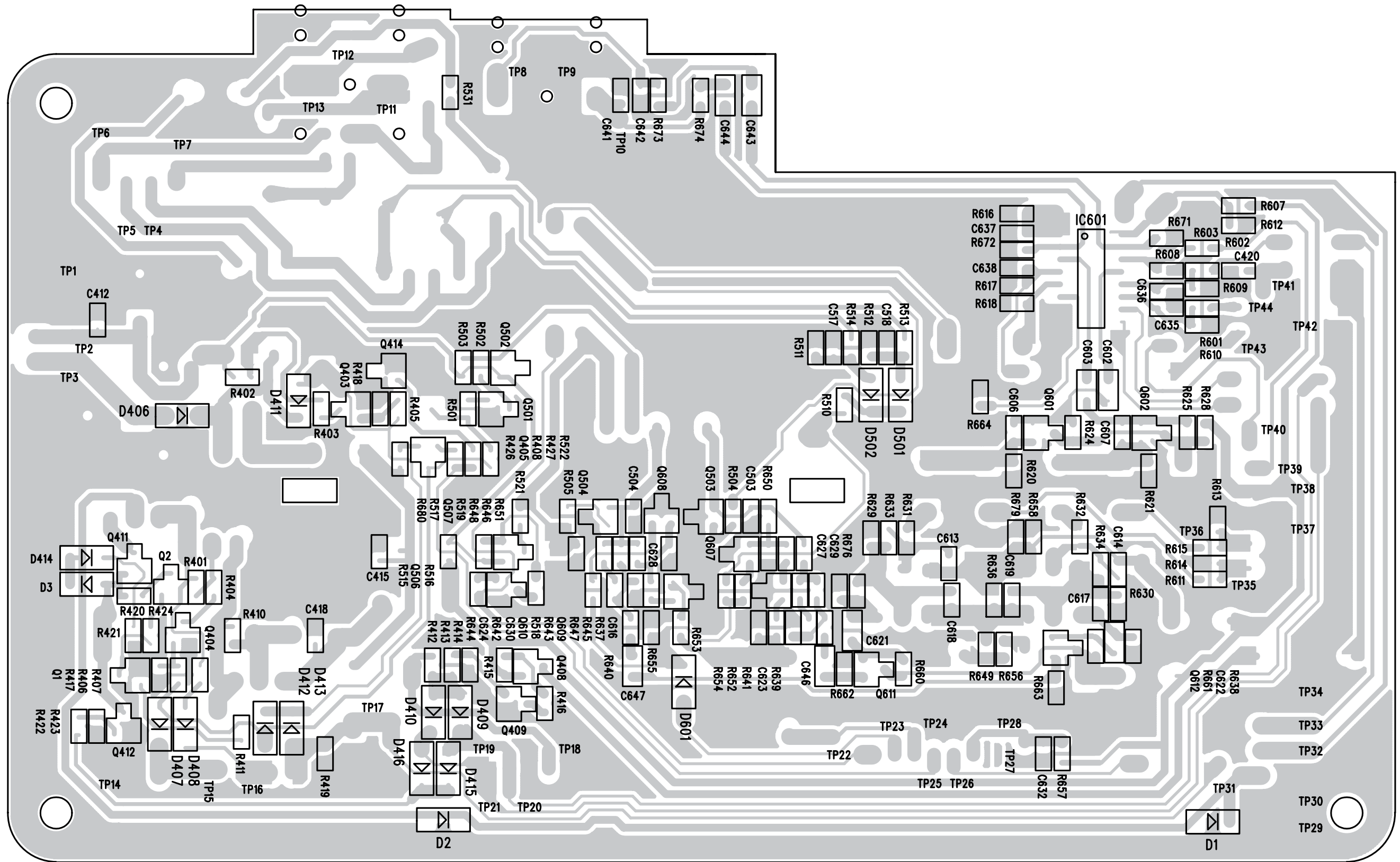
**CIRCUIT DIAGRAM - AUDIO BOARD  
PART 4**



LAYOUT DIAGRAM - AUDIO BOARD

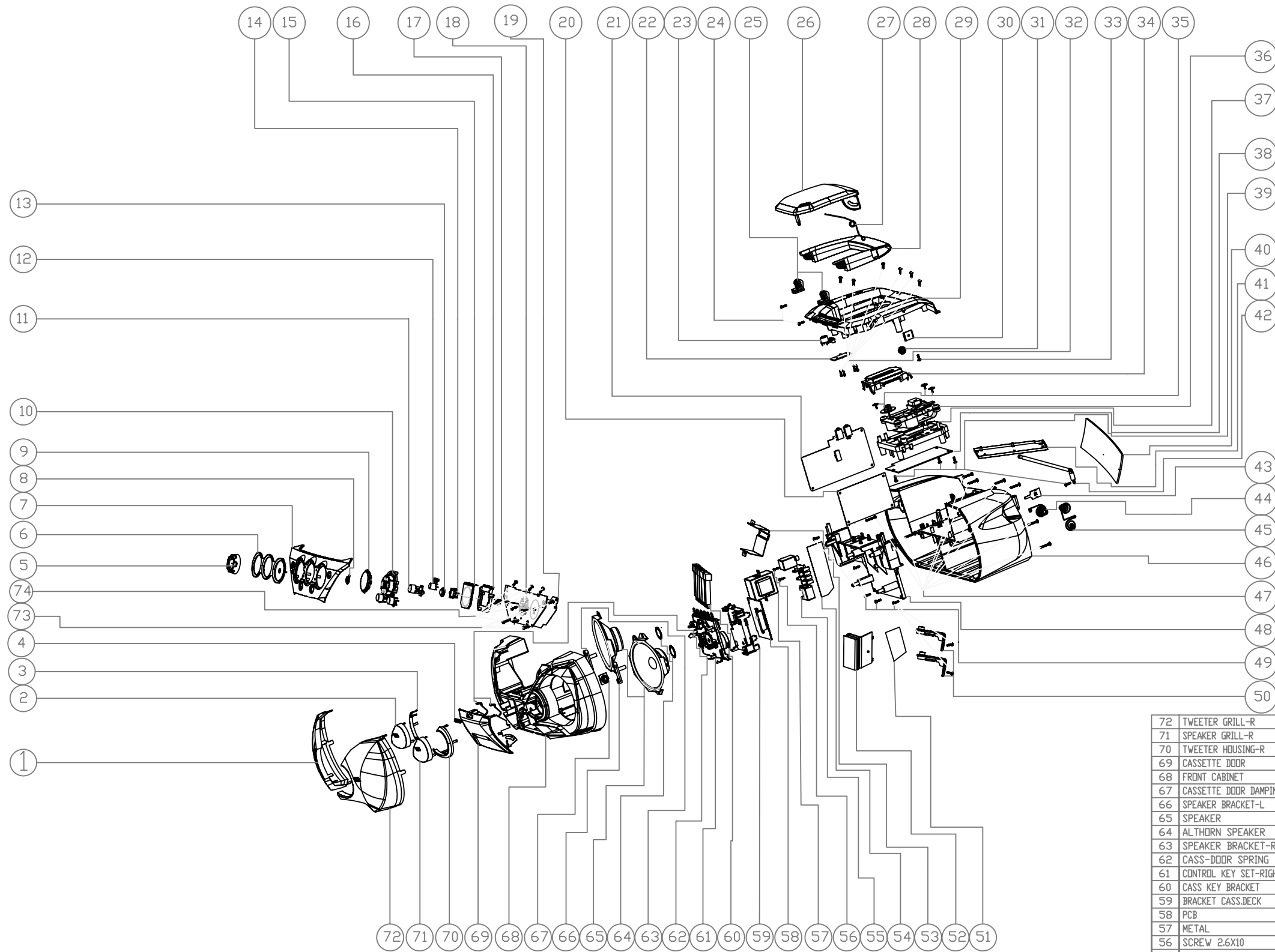


# LAYOUT DIAGRAM - AUDIO BOARD





EXPLODED VIEW DIAGRAM



51	PCB	1
50	PCB BRACKET STEEL	2
49	SCREW 3X10	5
48	COVER CHAMBER	1
47	SCREW 3X16	1
46	REAR CABINET	1
45	BATTERY SPRING-FDR	1
44	BATTERY SPRING-FDR	1
43	BATTERY PLATE-FDR	1
42	AMTTO REAR CAB	1
41	SHIELD PLATE	1
40	BATTERY DOOR	1
39	SCREW 3X10	4
38	CD BORAD	1
37	CD MECHANISM BRACKET	1
36	CD MECHANISM	1
35	SCREW 2.6X10	4
34	MAIN PCB BRACKET	1
33	SCREW 3X8	1
32	SCREW 3X10	4
31	CD DOOR GEAR INJ	1
30	CD DOOR GEAR HOLDER	1
29	CD TRAY	2
28	HANDLE	1
27	CD DOOR SPRING	1
26	CD DOOR	1
25	HANDLE BRACKET	2
24	SCREW 4X14	2
23	POWER BUTTON	1
22	PCB	1

72	TWEETER GRILL-R	1	21	AUDIO PCB	1
71	SPEAKER GRILL-R	1	20	PCB	1
70	TWEETER HOUSING-R	1	19	SHIELD PLATE 118X75.5X0.3	1
69	CASSETTE DOOR	1	18	KEY PCB	1
68	FRONT CABINET	1	17	IR BRACKET	1
67	CASSETTE DOOR DAMPING GEAR	1	16	LCD BRACKET	1
66	SPEAKER BRACKET-L	1	15	LCD DISPLAY LENS	1
65	SPEAKER	2	14	DBB LIGHT GUIDE	1
64	ALTHORN SPEAKER	2	13	DBB BUTTON	1
63	SPEAKER BRACKET-R	1	12	SOURCE BUTTON	1
62	CASS-DOOR SPRING	1	11	PLAY/PAUSE BUTTON	1
61	CONTROL KEY SET-RIGHT	1	10	KEYSET CLUSTER	1
60	CASS KEY BRACKET	6	9	LCD DISPLAY LENS	1
59	BRACKET CASS.DECK	1	8	IR LENS	1
58	PCB	1	7	FRONT PANEL	1
57	METAL	1	6	FACIAL PANEL	1
56	SCREW 2.6X10	2	5	VOLUME KNOB DETAIL	1
55	RECORD SPRING PLATE	1	4	PHILIPS WORDMARK	1
54	POWER PCB	1	3	TWEETER HOUSING-L	1
53	METAL BRACKET	1	2	SPEAKER GRILL-L	1
52	HEAT SINK	1	1	TWEETER GRILL-L	1

74	SCREW 2X8	4
73	SCREW 1.7X8	4
ITEM	DESCRIPTION	QTY

R&D Department

UNLESS OTHERWISE SPECIFIED ALL DIM ARE IN mm. X±0.1 Y±0.1	PROJECT:	MODEL No.: AZ3068	
	PART NAME:	PART No.	
	SCALE:1	MAT'L:	CAD FILE:MAIN_SET
	DRAWN:Skv	DATE:2007-05-11	FINISH

**Service parts list**

12	996510004539	CASSETTE DOOR INJ.ABS
13	996510004540	CASS-DOOR SPRING
14	996510000397	CD DAMPER PINK COLOR 40DEG
15	994000005115	CD DAMPER BLACK 658PH
16	996510004541	CD DOOR SPRING
17	996510004542	CD DOOR INJ.ABS W/S.S.&SPRAY
18	994000001409	CD DOOR GEAR HOLDER
19	996510000931	CD DOOR GEAR
20	994000003392	CD MECHANISM DA11B3VF (SANYO)
21	996510004543	CASSETTE DECK MECHANISM
22	996500038903	5-FEET VDE APPROVED POWER COR
23	996500038777	REMOTE CONTROL AZ3068
24	994000000167	ROD ANTENNA NC-2433 2 SEC
25	996510004544	TRANSF. EI-57 230V 1.6A/12V
26	994000001383	BATTERY DOOR
27	996510004545	SPEAKER 102X102MM 4OHM 10W
28	996510004546	GIFT BOX AZ3068/61 ENG/FR

**Note:** Only these parts mentioned in the list are normal service parts.